



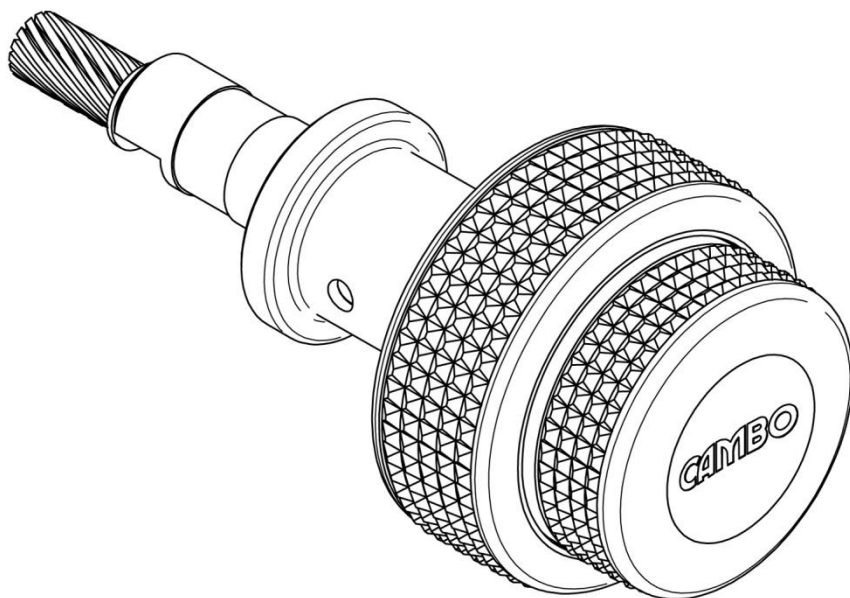
AC-380 & AC-381 Fine Ratio Geared Focus

For Actus-B, -G and DB

INSTRUCTION MANUAL

EN

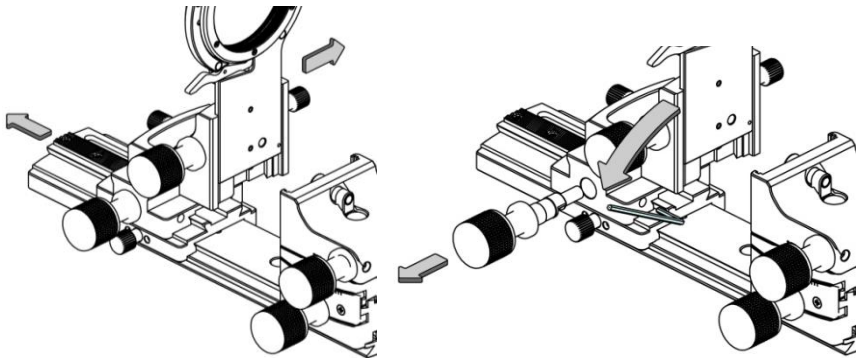
Please read this manual carefully before using the AC-380!



1. Preparing your Actus for installation

Before installing the AC-380 or AC-381 make sure you have the correct knob. The AC-380 is indicated by a white dot on the barrel. The AC-380 is used for the Actus-B. The AC-381 is indicated by a red dot on the barrel. The AC-381 is used only on the front standard of Actus-DB II and the Actus-G.

Before installing the AC-380 slide the telescopic rail fully backwards and lock it in position. Shift the camera plate fully to the left and lock it in position. Make sure the geared focus is placed in zero position. With the Actus positioned like this the accessibility of the focus knob mounting screw is optimal.

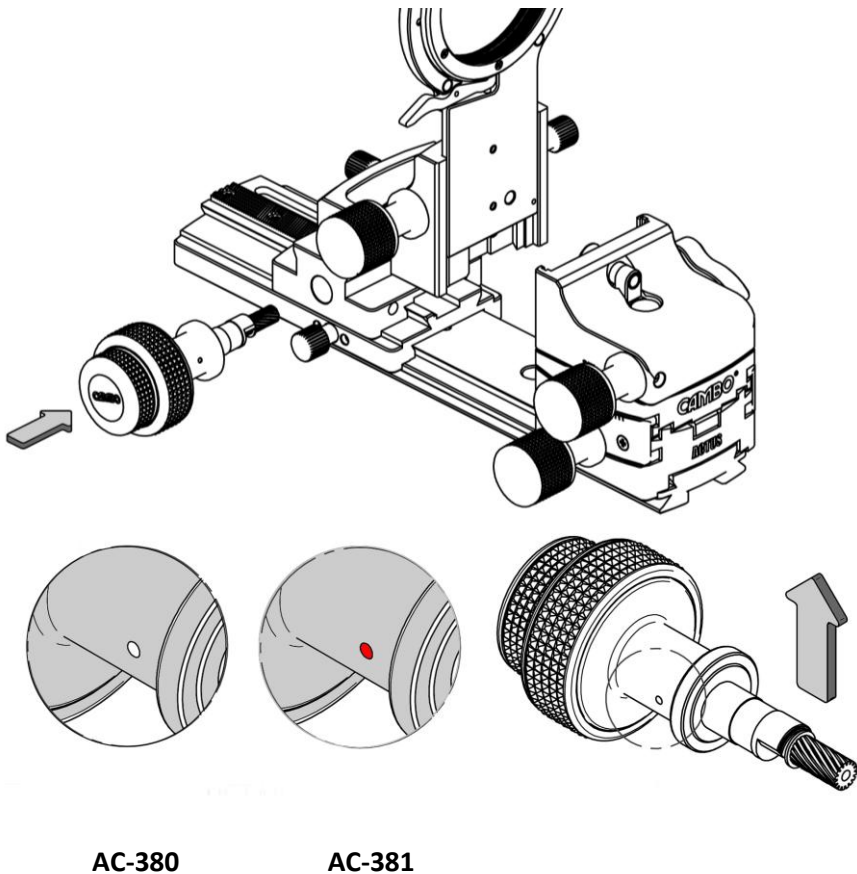


2. Removing the Focus knob

To remove the focus knob place the supplied 2mm Allen key in the mounting hole and unscrew the focus knob fixation bolt. When the fixation bolt is loosened slightly rotate the focus knob back and forth while pulling it out to remove it from the Actus.

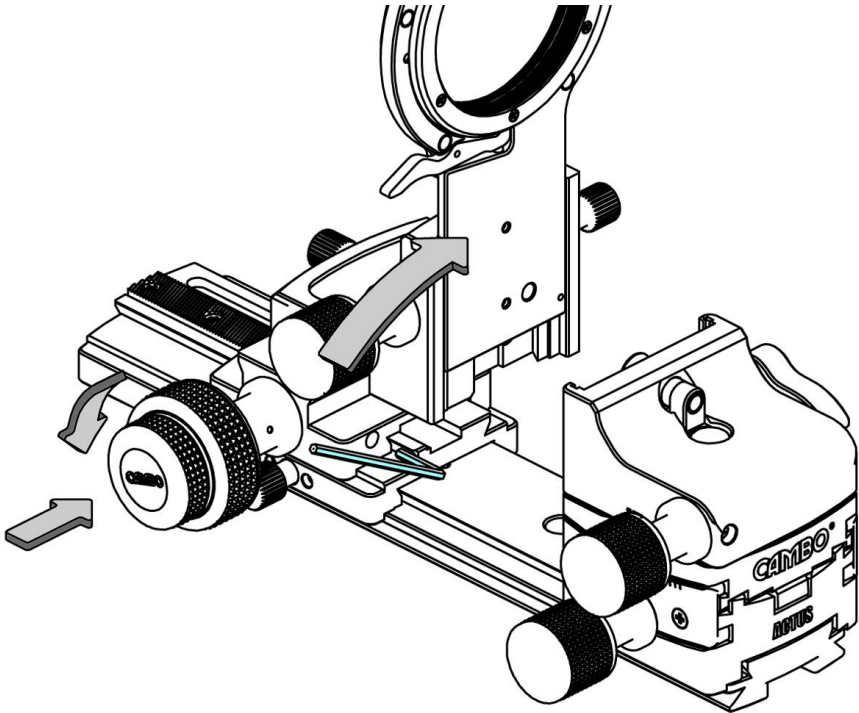
3. Installing the AC-380 Focus knob

Before installing the fine ratio geared knob to the focus rail make sure you have the AC-380 which is indicated by a white dot on the barrel of the knob. **IMPORTANT!** Position the AC-380 in front of the Actus rear standard hole with the half closed housing facing upwards. (see the figure below) To install the AC-380 push the knob in the rear standard hole while slightly rotating it a few degrees back and forth. Push in the knob until the barrel of the AC-380 reaches the Actus housing.



4. Adjusting the AC-380 Focus knob

To fix the AC-380 in position, take the barrel of the knob and rotate it counter clockwise while keeping pressure on the knob towards the Actus. Use the supplied 2mm Allen key to retighten the focus knob locking screw and tighten it firmly.

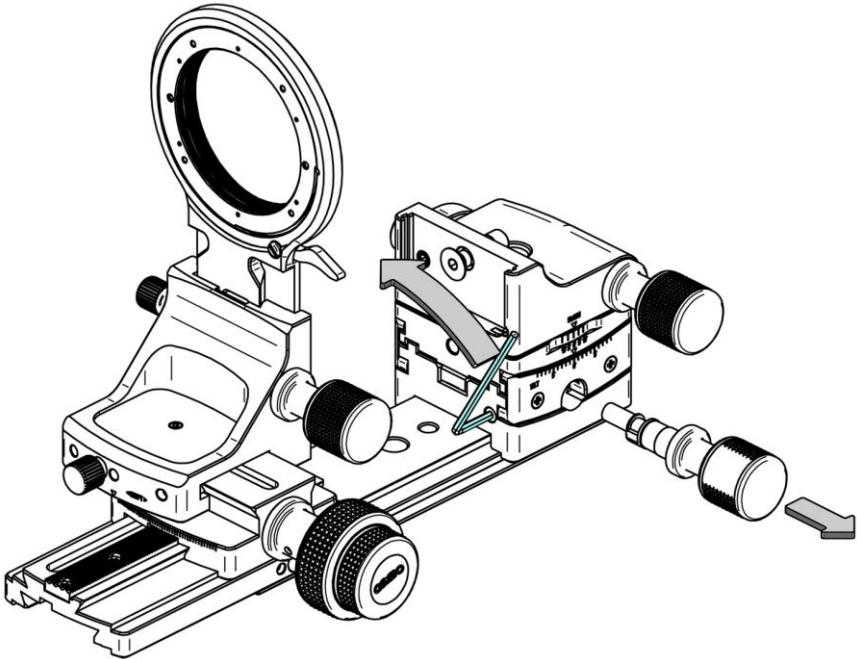


Note:

The barrel of the AC-380 is eccentric and you can adjust the feel of the knob until it meets your demands. To adjust the knob repeat the steps noted above and keep in mind that rotating the barrel counter clockwise applies more pressure to the rail resulting in a stiffer knob, and rotating the barrel clockwise will release pressure on the rail.

5. Removing the Tilt knob

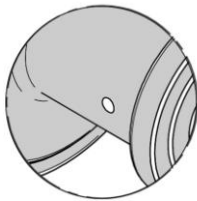
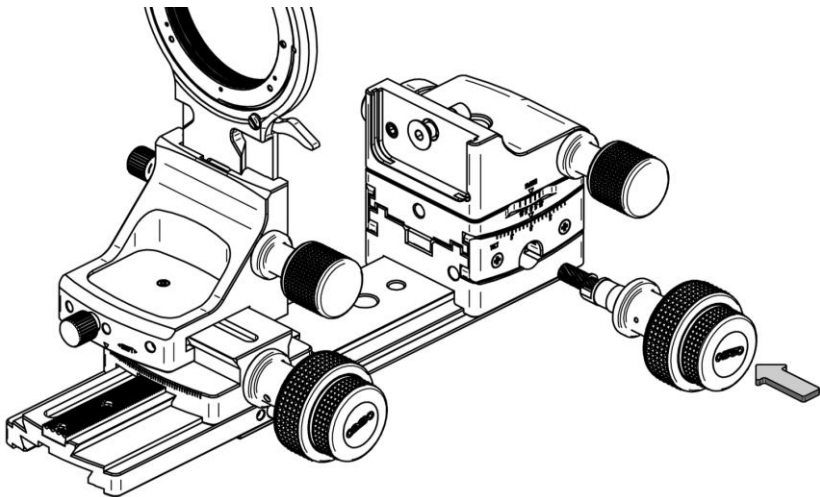
To remove the tilt knob use the supplied 2mm (for Actus-B) or 1,5mm (for Actus-G or Actus-DB II) Allen key to loosen the tilt knob locking screw. Remove the tilt knob by slightly rotating it back and forth while pulling it out.



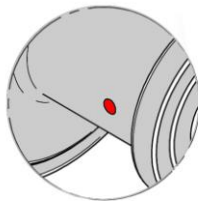
6. Installing the AC-380 or AC-381 Tilt knob

Before installing the AC-380 or AC-381 make sure you have the correct knob. The AC-380 is indicated by a white dot on the barrel. The AC-380 is used for the Actus-B. The AC-381 is indicated by a red dot on the barrel. The AC-381 is used on the Actus-DB II and the Actus-G.

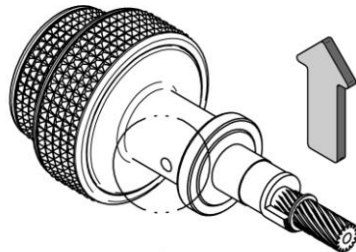
Installation of the AC-380 and AC-381 is similar. **IMPORTANT!** Place the fine ratio geared knob in front of the front standard housing with the half closed housing facing downwards. (See the figure below) Push the knob in the front standard hole while slightly rotating it a few degrees back and forth. Push in the knob until the barrel reaches the housing.



AC-380

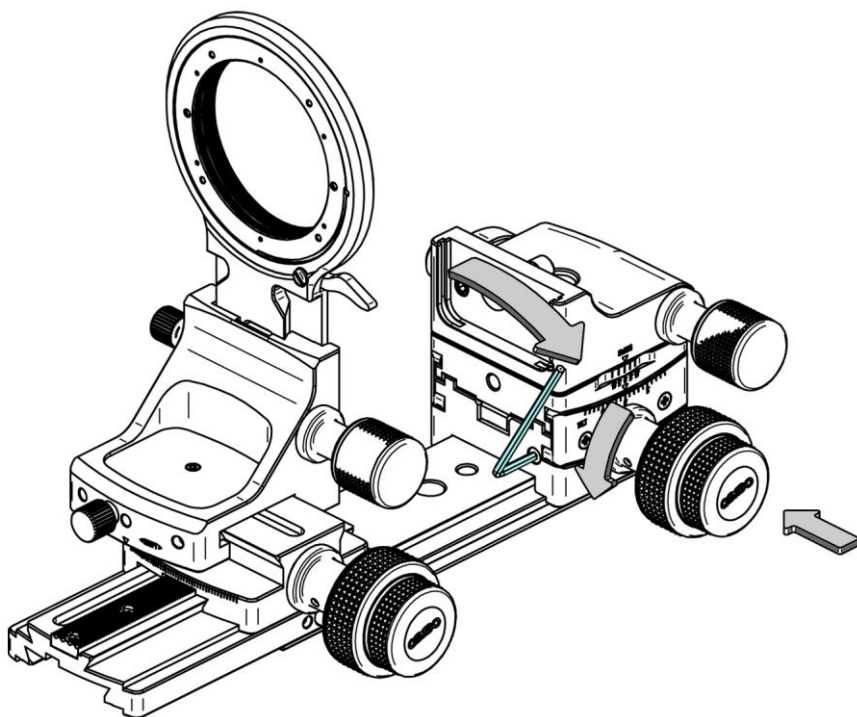


AC-381



7. Adjusting the AC-380 or AC-381 Tilt knob

To fix the AC-380 or AC-381 in position, take the barrel of the knob and rotate it counter clockwise while keeping pressure in the knob towards the front standard. Use the supplied 2mm (for AC-380) or 1,5mm (for AC-381) Allen key to retighten the tilt knob fixation bolt.



Note:

The barrel of the AC-380 and AC-381 is eccentric and you can adjust the feel of the knob until it meets your demands. To adjust the knob repeat the steps noted above and keep in mind that rotating the barrel counter clockwise applies more pressure to the rail resulting in a stiffer knob, and rotating the barrel clockwise will release pressure on the rail.

Cambo Fotografische Industrie B.V.

Cambo R&D June 2019

This instruction manual is prepared with care, although no responsibility, financial or otherwise, is accepted for any consequences related the information stated in this instruction manual. All specifications in this instruction manual are subject to change without notice.

For more information please visit the Cambo web site: www.cambo.com